

KYOJET

3500



POWER UP YOUR BUSINESS FROM PDF TO SHIPMENT



1



2



3



4



5



6



IT'S MORE THAN A
LABEL FINISHER:
 IT'S YOUR NEW
BUSINESS COMPANION

1 Beverage / 2 Wine / 3 Oil / 4 Household cleaners / 5 Personal care
 6 Pharmaceutical - Dietary supplements / 7 Food / 8 Sticker / 9 Laundry



7



8



9



EASY
FLEXIBLE
GREEN
PROFITABLE
SMART
PURE

UNWINDER

Standard (ø 610mm or Jumbo (ø 1000mm-optional), equipped with splicing table and electronic drifting control.

WEB CLEANER

Equipped with two groups of cleaning rolls combined with rubber rolls, it removes dust and dirt. The two anti-static units remove any remaining electric charges.

BUFFER

It allows the substrates to come back any time the machine is stopped, saving costs and time.

SLITTING MODULE

Automatic slitting scissor blades: no operator activity requested.

CORONA DEVICE

Vetaphone Corona device to rise the printing quality and the ink grip on substrates.

LASER CUTTING

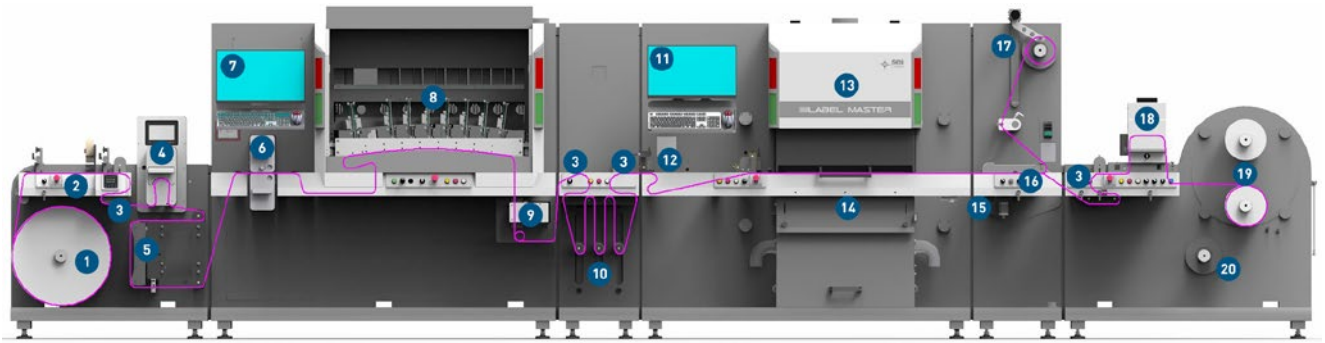
The State of the Art of Laser technology to digitally cut "in-line" any shapes and any label in the market.

SCRAPPING

Matrix rewinder equipped with heating table (to better separate the self-adhesive layer from the silicon liner) and automatic motorized back scorers.

REWINDER

Semi-automatic turret that works together with the automatic blades and back scorers, for a true full digital workflow.



- | | | | |
|-------------------|-----------------------|---------------------------|--------------------------------|
| 1. Main unwinder | 6. Web-Cleaner | 11. Main interface | 16. Heater |
| 2. Splicing table | 7. Printer interface | 12. QR Code reader | 17. Waste matrix rewriter |
| 3. Servo drive | 8. KyoJet system | 13. Laser cutting | 18. Automatic scissor slitting |
| 4. Corona | 9. Final UV cure lamp | 14. Full cut device | 19. Turret rewriter |
| 5. Web guide | 10. Buffer | 15. Automatic back scorer | 20. Main rewriter |

LabelMaster & KyoJet represent the only single-pass machine from PDF to shipment in the market of labels:
 zero waste, zero idle time, zero setup,
 zero flexible dies.



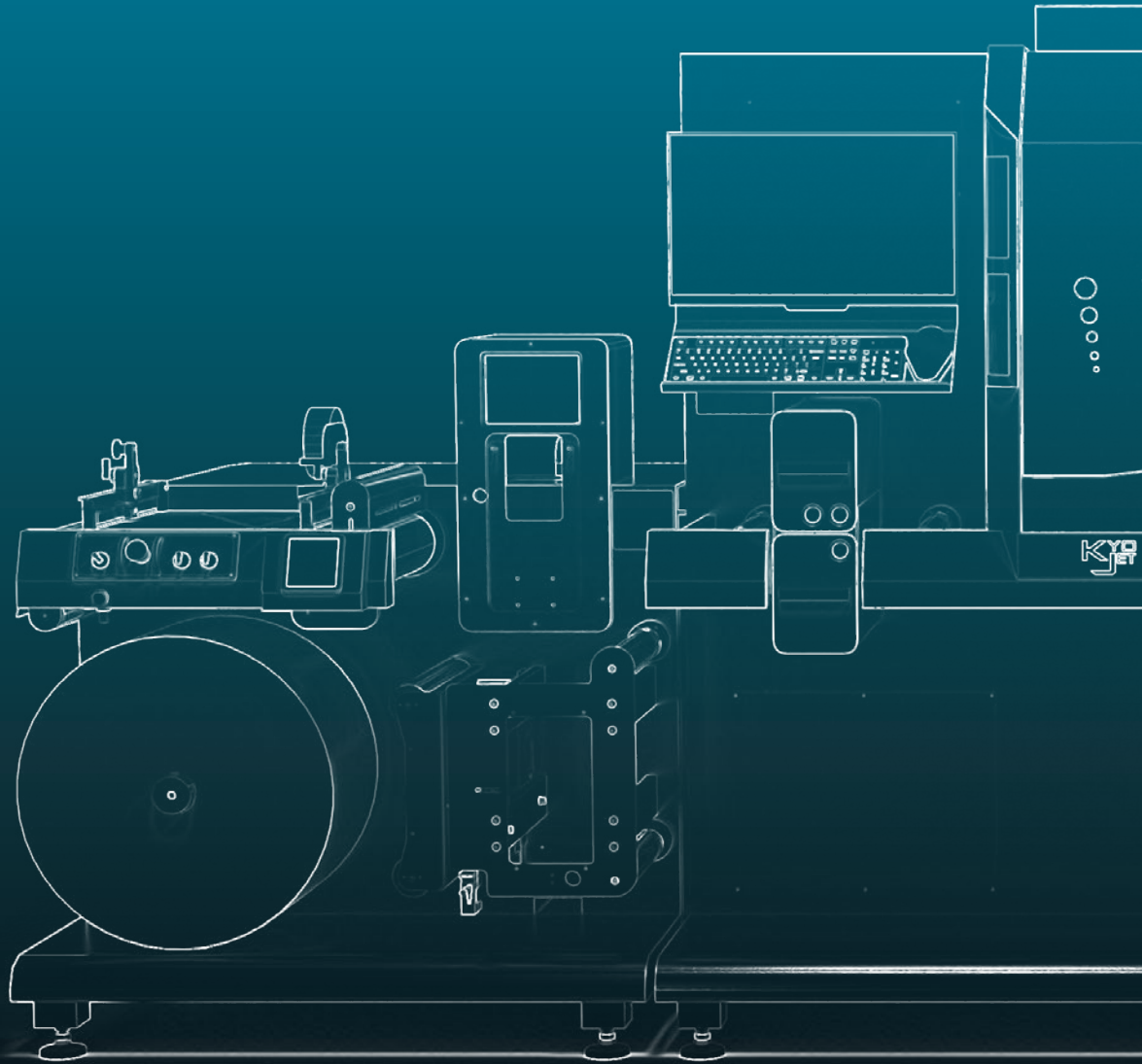
KYOJET 3500

SPECIFICATIONS



<p>PRINTHEAD TECHNOLOGY</p> <p>Up to 7+1 colors Epson S3200U-U3</p>	<p>FULL DIGITAL WORKFLOW</p> <p>On-line 4.0 integration Automatic setup</p>	<p>RESOLUTION</p> <p>600x600 DPI 600x900 DPI 600x1200 DPI</p>	<p>PRINT SPEED</p> <p>Up to 55mt/Min (180 feet/Min)</p>
<p>MEDIA HANDLING</p> <p>Max print width 330mm (13") Max media width 360mm (14,17") Max roll diameter standard 610mm (24") Max roll diameter jumbo 1000mm (39")</p>	<p>LASER</p> <p>State of the art SEI Laser up to 4xV500 Galvanometric Scanning Heads</p>	<p>UV CURING SYSTEM</p> <p>Low Heat UV Led Pinning and Full range Curing System</p>	<p>KYO DIGITAL INK</p> <p>UV curable inks specifically formulated for high-speed one pass web printing on a variety of media types</p>
<p>IMAGE PROCESSING SYSTEM</p> <p>Windows PC running Onyx postershop</p>	<p>TRANSPORT SPEED</p> <p>Up to 100mt/Min (328 feet/Min)</p>	<p>ELECTRICAL CONNECTIONS</p> <p>400VAC, 3PH + N + PE, 63 Amps Plug, 50/60 Hz, CE 26 kW, 41 Amps</p>	<p>OPERATING CONDITIONS</p> <p>18 - 30 °C (65 - 85 °F)</p>
<p>FOOTPRINT</p> <p>Approx. 480cm W x 135cm D x 200cm H (189" W x 53" D x 78,7" H)</p>	<p>OPTIONS</p> <p>Full cut Stickers cut Lamination Full UV varnish</p>	<p>LASER FEATURES</p> <p>Kiss-cut Die-Cut Coding Micro-perforating</p>	<p>QUALITY CONTROL</p> <p>Printing and Laser cut Vision system (option)</p>





SEI S.p.A.
Via R. Ruffilli, 1
24035 Curno (BG) - Italy
T. +39 035 4376016
F. +39 035 463843
info@seilaser.com
www.seilaser.com